

Cassita II/ LED



| Symbole / symbols/ symbolen/ symbole | | | | |
|--------------------------------------|---|--|--|--|
| | Prüfen/ Prüfen/ Check/ examiner | | | |
| | 2 Personen erforderlich/ 2 personen nodig/ 2 persons required/ 2 personnes nécessaires | | | |
| | Montageanleitung/ Montagehandleiding/ Instructions for Assembly/ Notice de montage | | | |
| | Optional/ facultatief Optional/ optionnel | | | |

Wand/ wall/ muur/ mur

1

2

3.1

3.2

4

LED

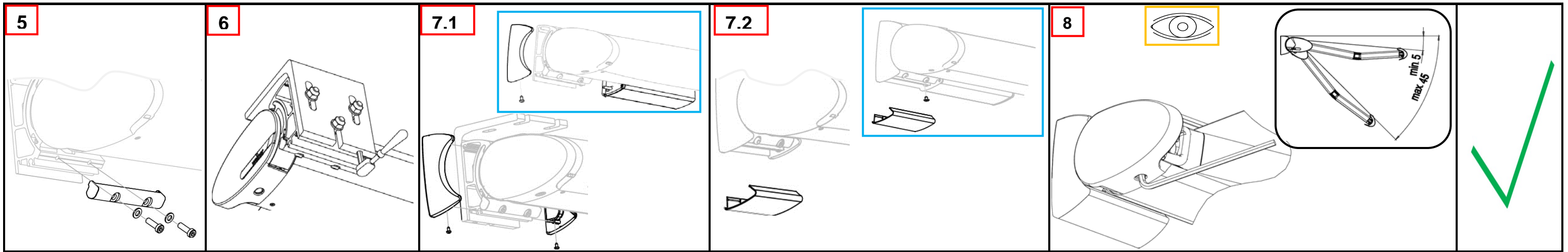
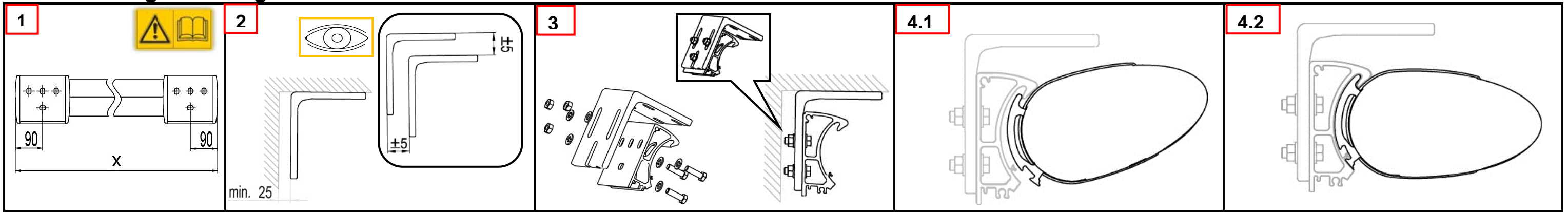
LED

5.1

5.2

6

Decke/ ceiling/ zoldering/ Plafond



Decke(Kompakt) / ceiling/ zoldering/ plafond

